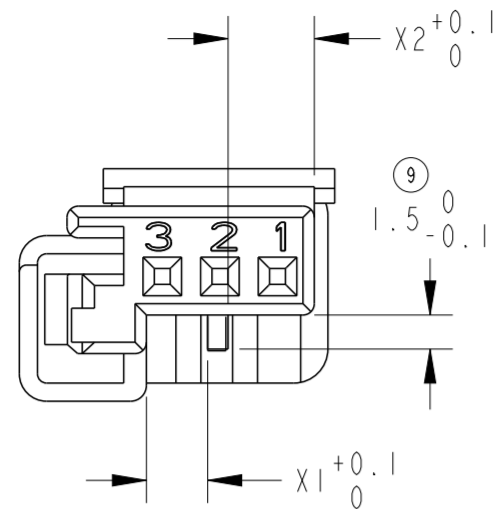


THIS DRAWING IS UNPUBLISHED.  
 DIFFUSION RESTREINTE  
 © COPYRIGHT 2006 BY -  
 RELEASED FOR PUBLICATION  
 LIBRE A LA DIFFUSION  
 2006  
 ALL RIGHTS RESERVED.  
 TOUS DROITS RESERVES

LOC		DIST		REVISIONS			
P	LTR	DESCRIPTION MODIFICATIONS		DATE	DWN DESS.	APVD APP.	
	BI	REVISED PER ECO-11-005150		28MAR2011	RK	HMR	
	C	NEW PART NUMBER I-953697-1 ADDED		08APR2013	EC	XR	

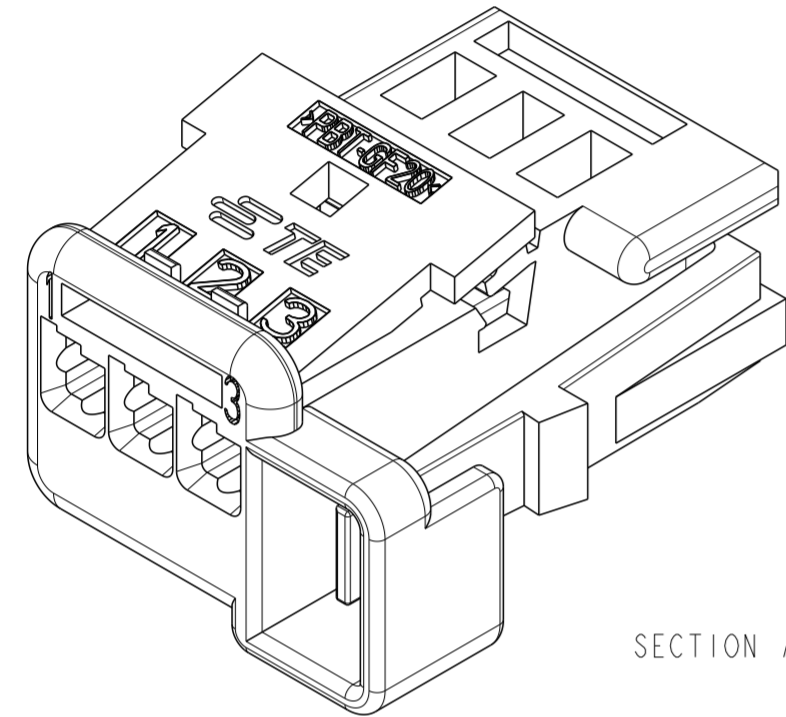
KEYING TABLE (table de detrompage)

COLOR couleur	X1	X2	PART NO
BLACK noir	6.5 (10)	0 (11)	953697-1 AND I-953697-1 (SEE NOTE 9)
WHITE blanc	5.2 (12)	1.3 (13)	953697-2
BLUE bleu	4 (14)	2.5 (15)	953697-3
YELLOW jaune	2.7 (16)	3.8 (17)	953697-4
GREY gris	1.5 (18)	5 (19)	953697-5
BROWN marron	0 (20)	6.3 (21)	953697-6

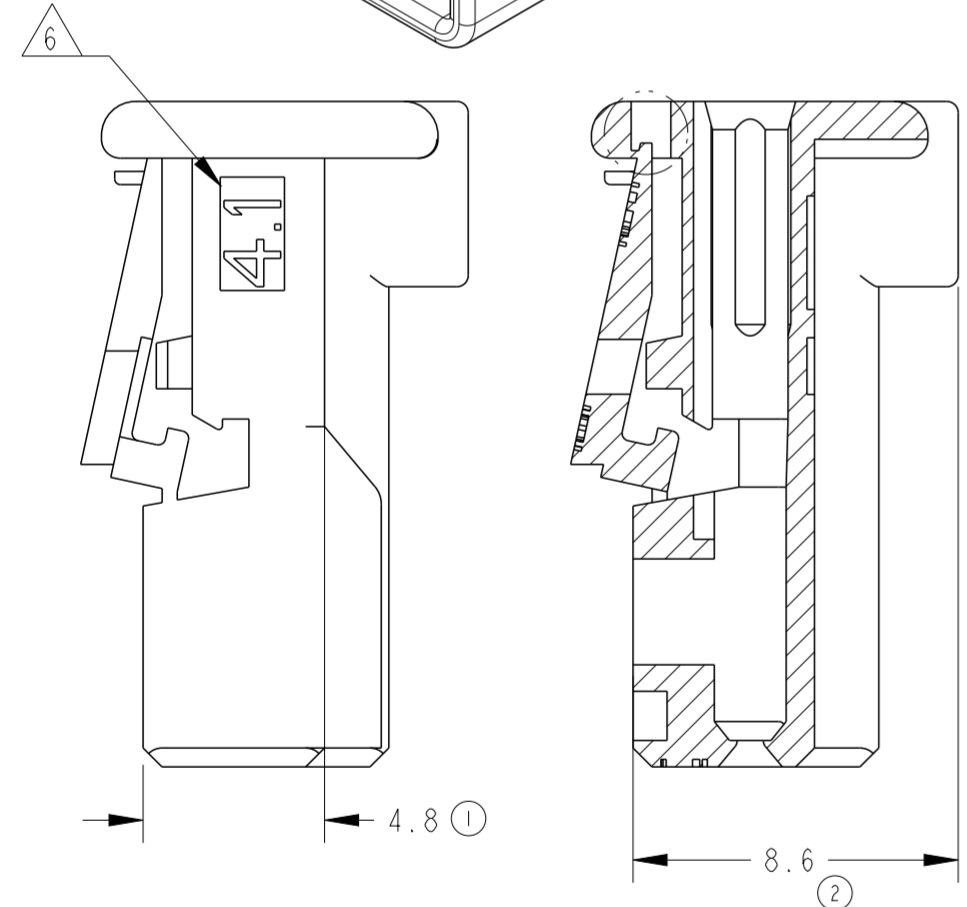
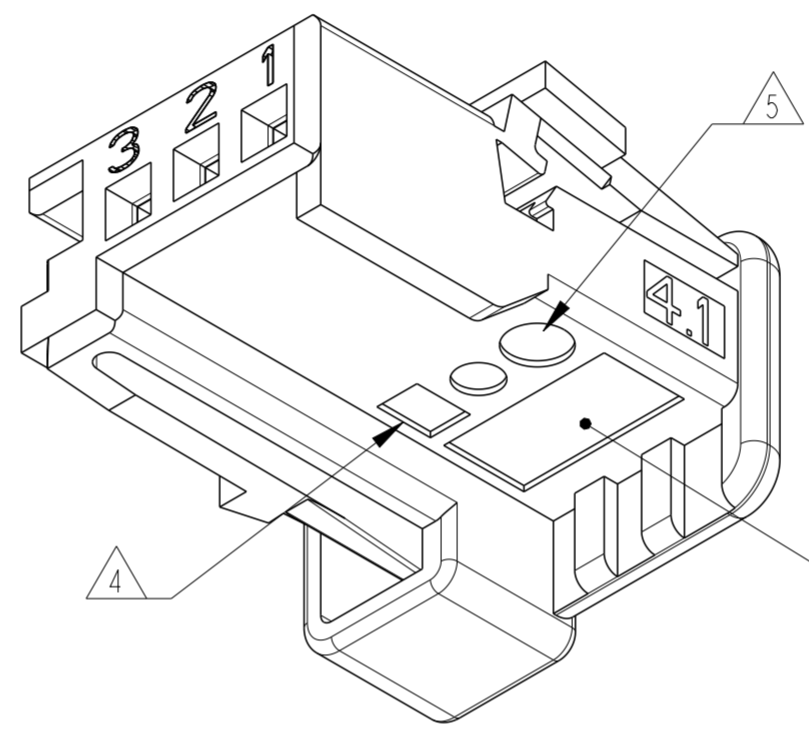
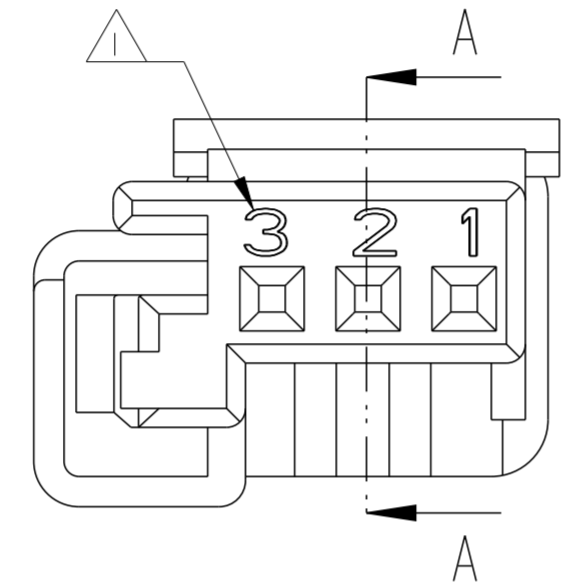


(C)

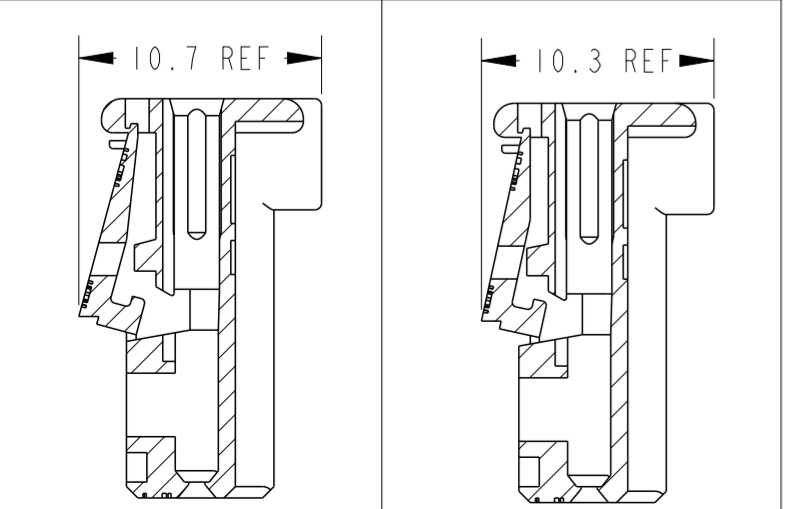
- 1 CAVITY MARKING  
reperes alveoles
- 2 AMP STAMP OR TE CONNECTIVITY STAMP (following mold)-  
logo AMP ou logo TE CONNECTIVITY (suivant moule)
- 3 MATERIAL IDENTIFICATION  
marquage matiere
- 4 MOLD REVISION NUMBER (optional)  
indice de revision moule (optionnel)
- 5 MOLD IDENTIFICATION  
identification moule
- 6 MOLD CAVITY IDENTIFICATION NUMBER  
numero d'empreinte moule
- 7 EXCHANGEABLE MANUFACTURING DATE  
date de fabrication exchangeable
- 8 "PSA" CUSTOMER STAMP POSSIBLE  
NO MARKING IN THIS AREA FOR PN I-953697-1  
Marquage logo "PSA" possible  
Aucun marquage dans cette zone pour PN I-953697-1



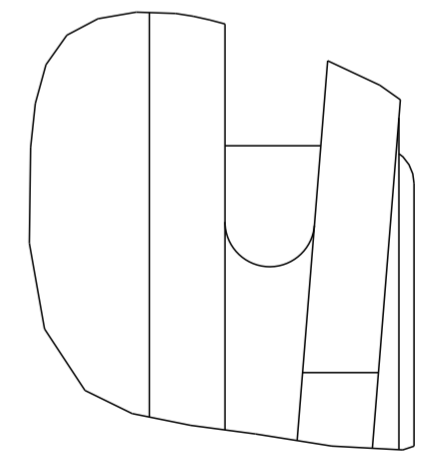
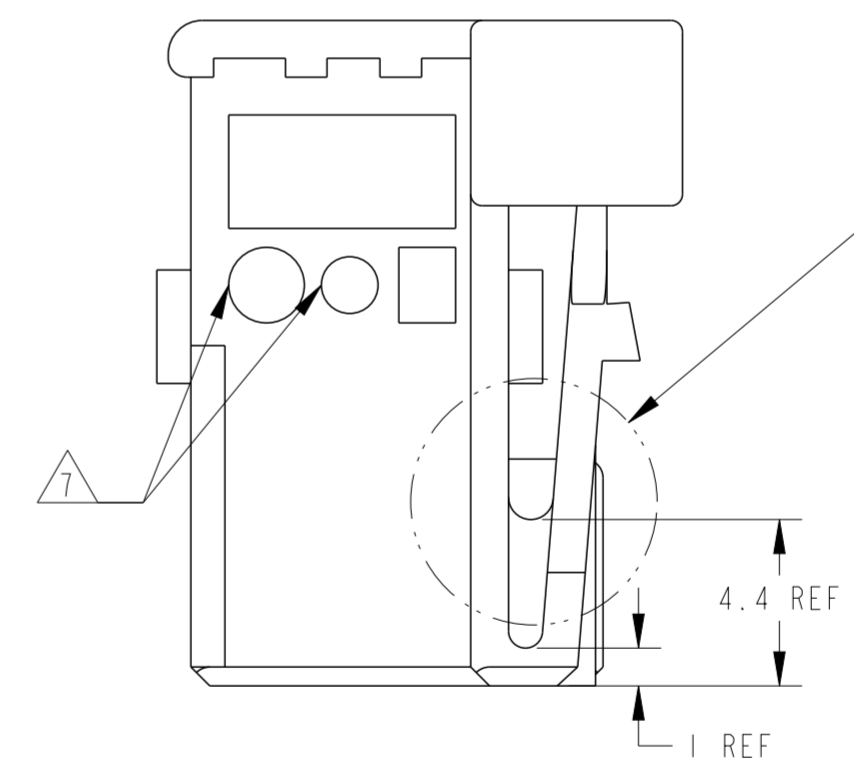
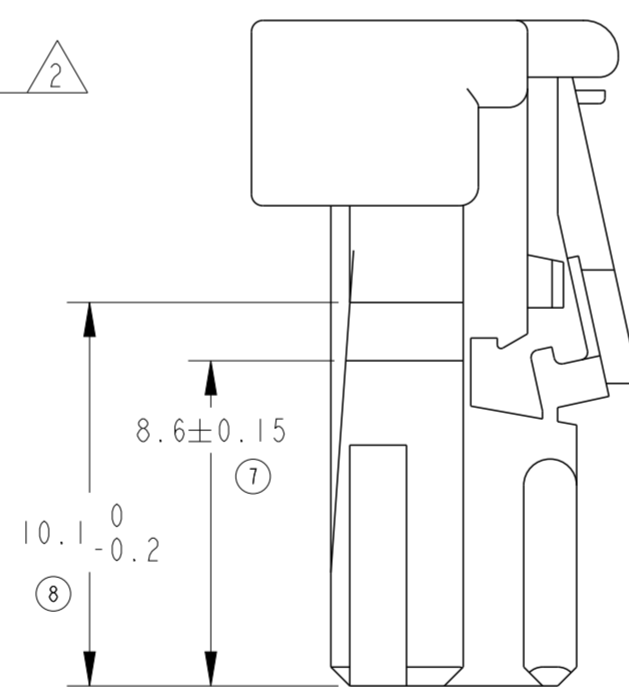
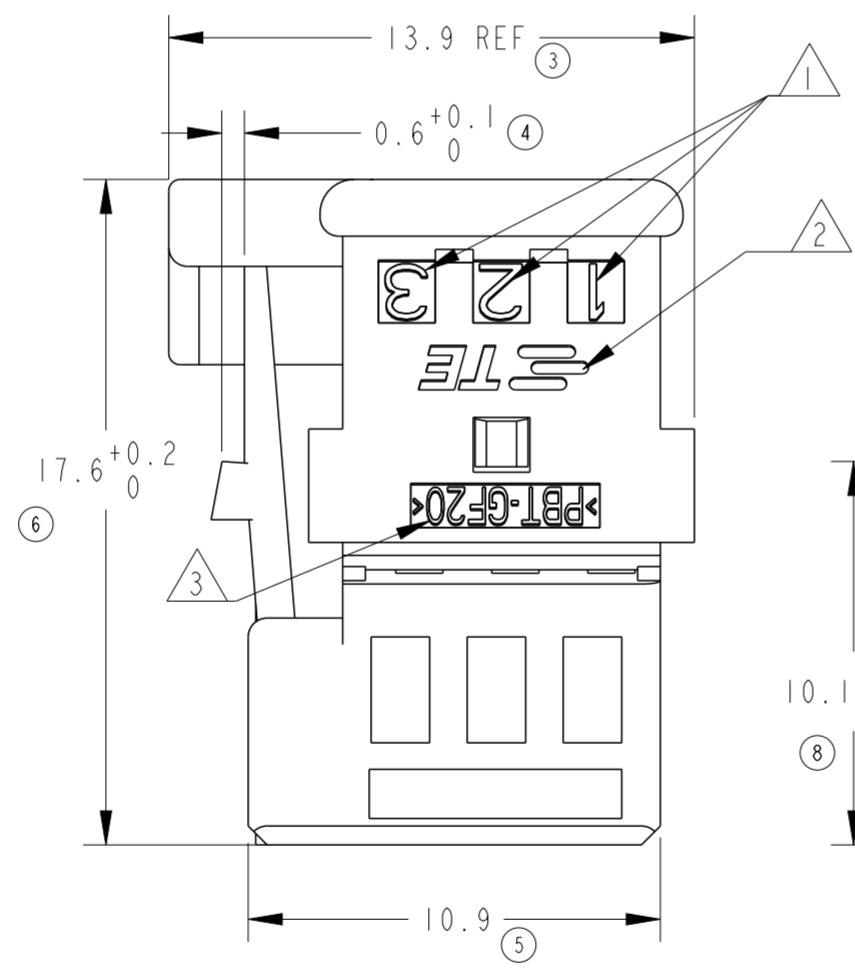
SECTION A-A



PERMISSIBLE FORM FOR THE LOCKING DEVICE  
 formes admissibles pour le verrou



SECTION A-A  
 SCALE 3:1



DETAIL X  
 SCALE 10:1

THIS DRAWING IS A CONTROLLED DOCUMENT.		DWN/DESSINE M. POLIFONTE 22MAR2006	TE Connectivity												
DIMENSIONS: mm		CHK/VERIFIE X ROULLIARD 22MAR2006	NAME TITRE 3 POS. MQS RECEPTACLE HOUSING POSITIVE MATE porte-clips 3 voies MQS avaloir												
TOLERANCES UNLESS OTHERWISE SPECIFIED: TOLERANCES NON SPECIFIEES		APVD/APPROUVE J. DAHER 22MAR2006	PRODUCT SPEC SPEC. PRODUIT 108-15226												
<table border="1"> <tr><td>PLC/DEC: ±</td><td>±0.2</td></tr> <tr><td>PLC/DEC: ±</td><td>±0.2</td></tr> <tr><td>PLC/DEC: ±</td><td>±0.2</td></tr> <tr><td>PLC/DEC: ±</td><td>±0.2</td></tr> <tr><td>PLC/DEC: ±</td><td>±0.2</td></tr> <tr><td>ANGLES</td><td>±5°</td></tr> </table>		PLC/DEC: ±	±0.2	PLC/DEC: ±	±0.2	PLC/DEC: ±	±0.2	PLC/DEC: ±	±0.2	PLC/DEC: ±	±0.2	ANGLES	±5°	APPLICATION SPEC SPEC. APPLICATION 411-15626	
PLC/DEC: ±	±0.2														
PLC/DEC: ±	±0.2														
PLC/DEC: ±	±0.2														
PLC/DEC: ±	±0.2														
PLC/DEC: ±	±0.2														
ANGLES	±5°														
MATERIAL/MATIERE PBT-GF20		WEIGHT MASSE APPROX. 1g	SIZE FORMAT A2	CAGE CODE 00779											
FINISH/FINITION		Customer Drawing /PLAN CLIENT	UNIQUEMENT POUR REFERENCE	SCALE ECHELLE 5:1											
		DRAWING NO No PLAN C-953697		RESTRICTED TO RESERVE A											
		SHEET FEUILLE 1		OF DE 1											
		REV C													